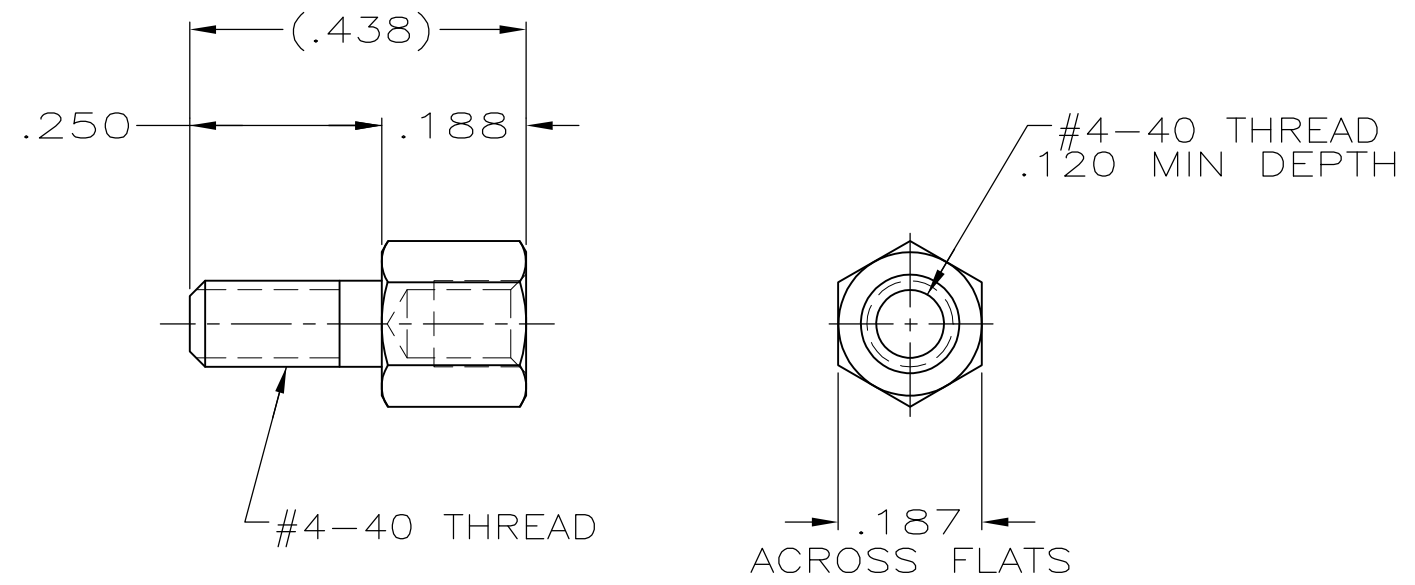


THIS DRAWING IS UNPUBLISHED. RELEASED FOR PUBLICATION
 © COPYRIGHT - By - ALL RIGHTS RESERVED.

LOC	DIST	REVISIONS					
GP	00	P	LTR	DESCRIPTION	DATE	DWN	APVD
		P		REVISED PER ECO-11-004835	19APR11	RK	HMR



- △1 ZINC PLATED .000200-.000400 THICK, YELLOW CHROMATE COATING.
- △2 ZINC PLATED .000200-.000400 THICK, CLEAR CHROMATE COATING.

△2	5207953-3
△1	5207953-2
FINISH	PART NO

THIS DRAWING IS A CONTROLLED DOCUMENT.		DWN	R.RICHARDSON	24JUN05	TE Connectivity		
DIMENSIONS: INCHES		CHK	C.ROHDE	24JUN05			
		APVD	M.WALMSLEY	24JUN05			
TOLERANCES UNLESS OTHERWISE SPECIFIED:		PRODUCT SPEC		NAME			
0 PLC ± - 1 PLC ± - 2 PLC ± - 3 PLC ± .005 4 PLC ± - ANGLES ± -		APPLICATION SPEC		SIZE	CAGE CODE	DRAWING NO	RESTRICTED TO
MATERIAL		FINISH		WEIGHT		A3 00779 C-5207953	
COLD ROLLED STEEL		SEE TABLE		-		-	
CUSTOMER DRAWING				SCALE	4:1	SHEET	1 OF 1
				REV	P		